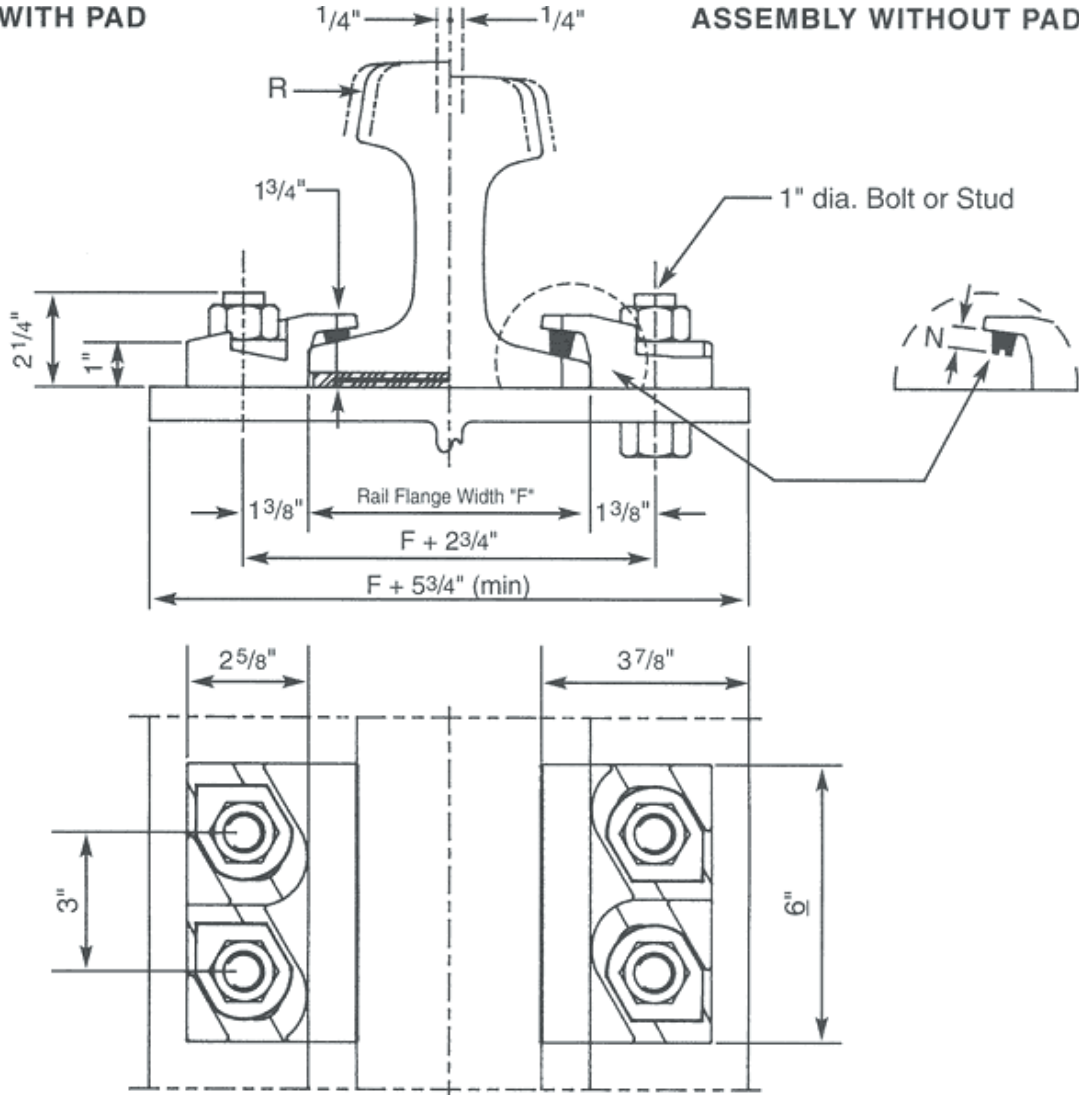


ASSEMBLY WITH PAD

ASSEMBLY WITHOUT PAD



**SPECIFICATIONS**

	TYPE OF 1" BOLT*		
	A307 or Welded Stud	A325	A490
• Resistance to lateral force R* max with threads included in shear plane	16 kips	47 kips	63 kips
• Bolt torque	200 ft-lbs	200 ft-lbs (min.**)	200 ft-lbs (min.**)
• Lateral adjustment, total	1/2"		
• "N" available noses	3/8", 11/16", 13/16"		
• Weight	3.79 lbs		

**COMPONENTS**

1 Clip 3226\15\45
2 Special Washers 3126R
*Also available for 3/4" and 7/8" bolts Contact Gantrex for details
1-800-242-6873
<a href="http://www.Gantrex.com">www.Gantrex.com</a>

**NOTES**

See "Selection Table" for "F" Dimensions.  
See "General Specifications 3000 Series" for additional clip information.

\* R is calculated on the basis that the bolt threads are excluded from the shear plane.

\*\*Bolt torque shown is minimum required for clip performance. However, bolts can be torqued to higher value to meet applicable structural codes.

## GANTREX RAIL CLIP 3226

SELECTION TABLE					
RAIL SIZE	F (in)	RAIL ONLY CLIP PART NO.	GANTREX PAD MODEL NO.	RAIL ON GANTREX PAD CLIP PART NO.	AT SPLICE BAR CLIP PART NO.
85 ASCE	5 3/16"	3226/85	130 RFS	3226/85P	3226C (4 per joint)
104 CR	5"	3226/104	130 RFS	3226/104P	
105 CR	5 3/16"	3226/105	130 RFS	3226/105P	
135 CR	5 3/16"	3226/135	130 RFS	3226/135P	
171 CR	6"	3226/171	150 RFS	3226/171P	
175 CR	6"	3226/175	150 RFS	3226/175P	

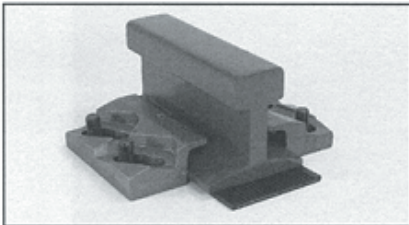
### NOTES

- 1) To order clips without rubber noses consult GANTREX for proper selection.
- 2) GANTREX clips are available to suit most rail sections. Please consult GANTREX for details if your rail does not appear in the above table.
- 3) GANTREX recommends that rail joints be welded wherever possible.
- 4) This clip fits the bolt pattern of most existing double bolt bent plate clips.
- 5) Contact GANTREX for available protective coatings.

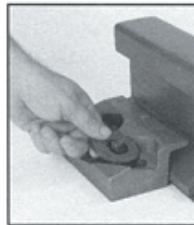
### MATERIALS

Special Washer . . . . . Ductile Cast Iron  
 Clip . . . . . Ductile Cast Iron  
 Pressure Block (Nose) . . . . . Synthetic Rubber

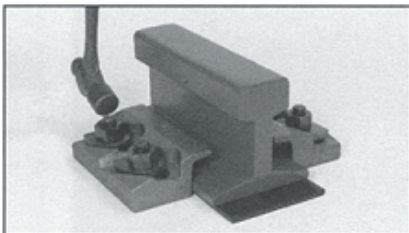
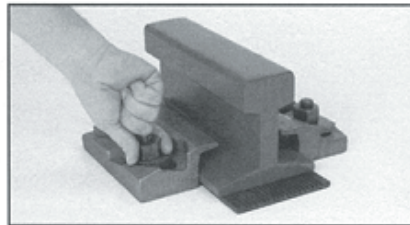
### INSTALLATION



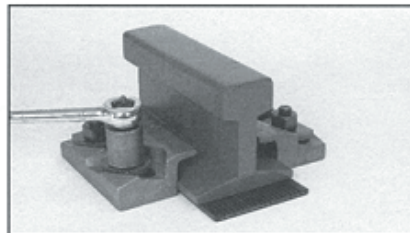
1. Position clip on bolts or studs.



2. Position special washers and lightly tighten nuts.



3. Adjust clip forward to ensure tight contact with rail flange edge.



4. Tighten nuts to required torque. Restricted clearance necessitates the use of a 1 5/8" thin wall impact socket similar to Snap-On Tools model IMFS522.

- Install clips only in opposing pairs. (never staggered)
- Do not use cleaning fluids or protective coatings which contain ketones or similar chemicals, as they may seriously damage the rubber nose.

For complete crane runway installation services including rail welding, please contact:  
 GANTREX CRANE RAIL INSTALLATIONS at 1-800-242-6873.

GANTREX reserves the right to discontinue or change specifications at any time without prior notice and without incurring any obligation whatsoever.



**TOLL FREE: 800 2 GANTREX (800) 242-6873**

Web site: [www.gantrex.com](http://www.gantrex.com) • Email: [sales@gantrex.com](mailto:sales@gantrex.com)

© GANTREX, 2008  
 PRINTED in U.S.A.

Rev. 10/11