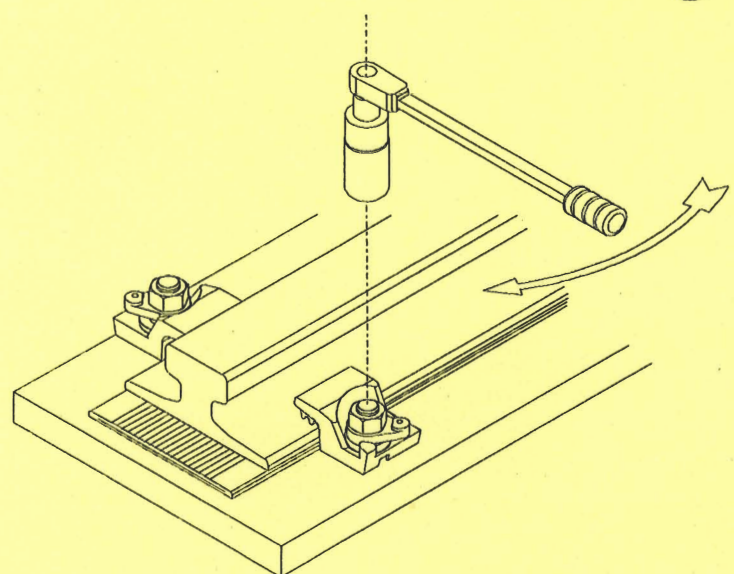
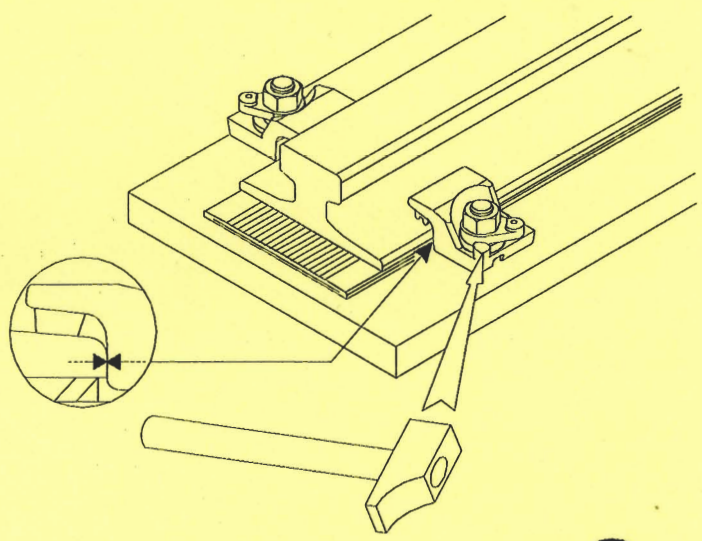
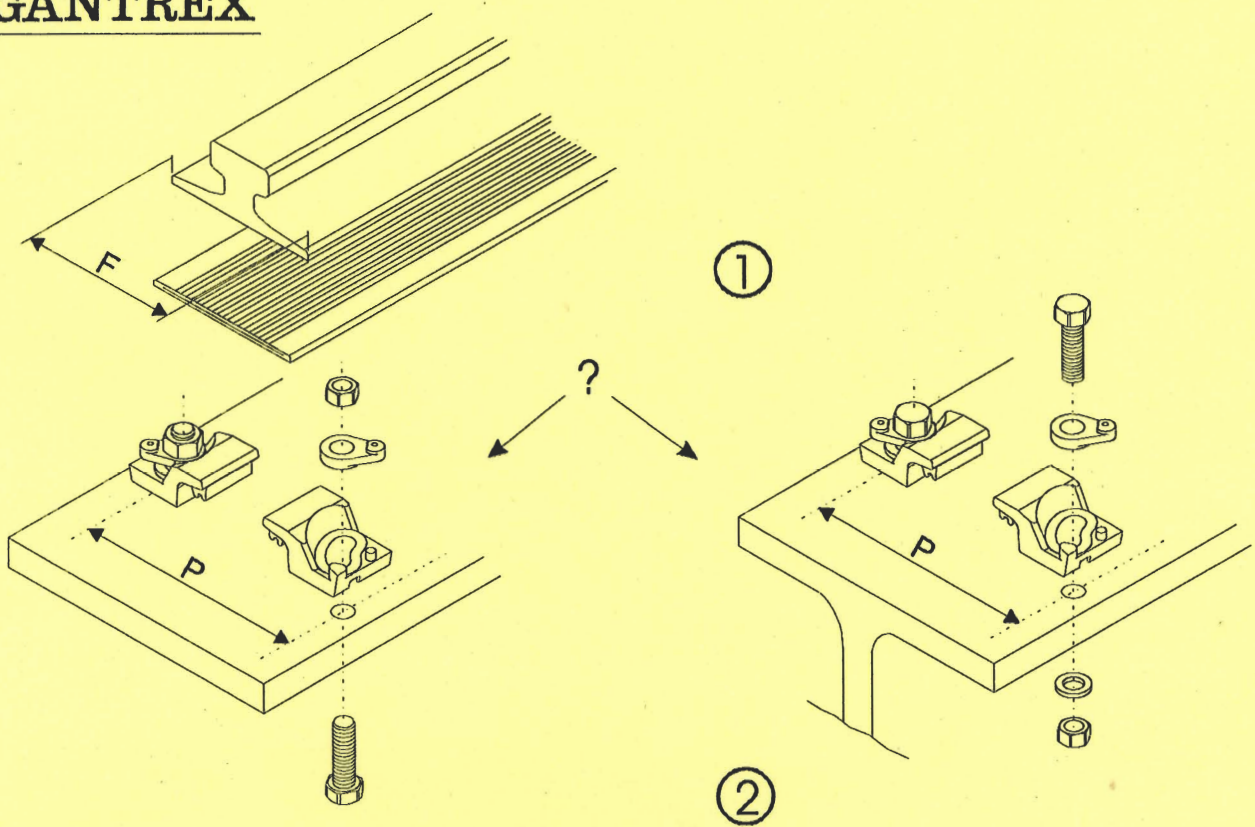


		mm	mm
41/035/..	M16	$P = F + 50$	17
41/075/..	M20	$P = F + 70$	21
41/125/..	M24	$P = F + 70$	25
51/015/..	M12	$P = F + 48$	13
71/075/..	M20	$P = F + 44$	21



	4.6	5.6	8.8
41/035 :	80 Nm	100 Nm	200 Nm
41/075 :	150 Nm	200 Nm	400 Nm
41/125 :	250 Nm	300 Nm	660 Nm
51/015 :	30 Nm		80 Nm
71/075 :	150 Nm	200 Nm	400 Nm