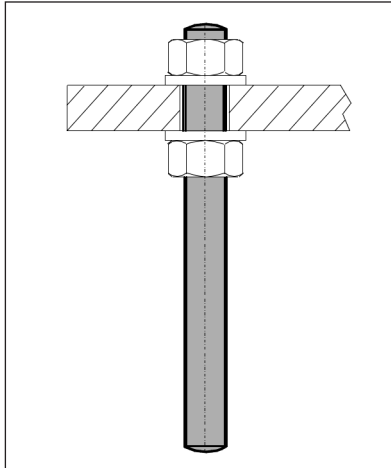
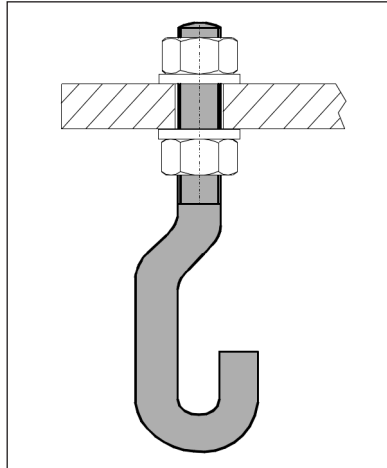


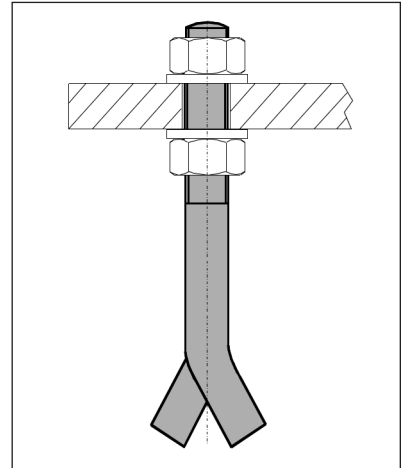
The most common types :



Threaded bar
DIN 976



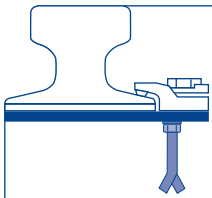
Hook shaped
DIN 529 B



Fish tail shaped
DIN 529 C

Anchoring acc. to DIN Steel grade 4.6	Length	Length in GANTREX® pre-casting grout	Thread
DIN 976	200	160	M16
	250	200	M20
	300	250	M24
DIN 529 B	200	160	M16
	250	200	M20
	300	250	M24
DIN 529 C	200	160	M16
	250	200	M20
	300	250	M24

For other shapes, please consult us.

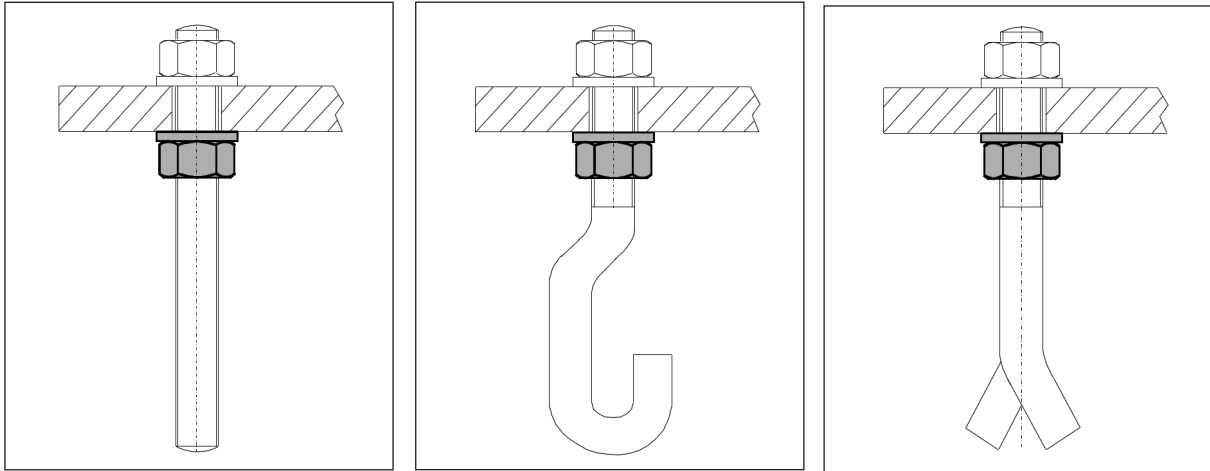


LEVELLING DEVICE



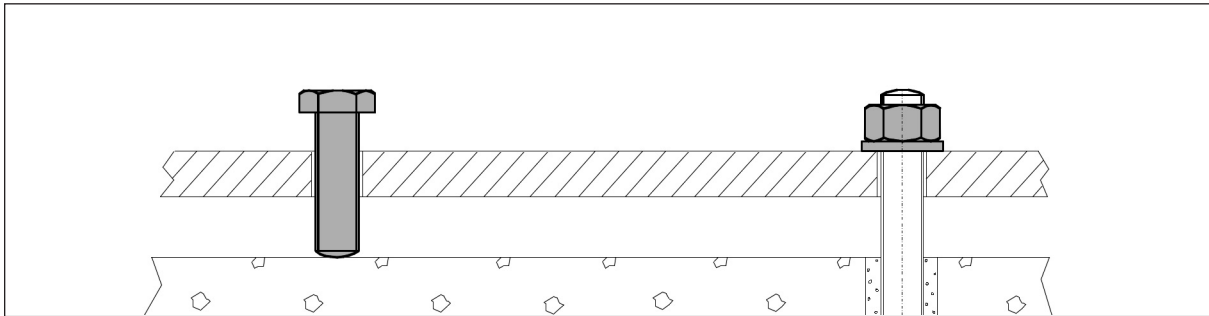
The most common types :

NUT + WASHER



Commonly used in 3 standard sizes (M16, M20 and M24) :
synthetic washer similar to DIN 125 on metal nut DIN 934.

LEVELLING SCREW



Used in conjunction with the fixing nut on the anchor bolt.

For other systems, please consult us.

*We reserve the right to discontinue or change specifications or design at any time without prior notice
and without incurring any obligation whatsoever.*



GANTREX S.A.

rue du Commerce 19 • 1400 Nivelles • Belgium

Tel. : +32(0)67.88.80.30 • Fax : +32(0)67.21.63.21 • E-mail : info@be.gantry.com

<http://www.gantry.com>