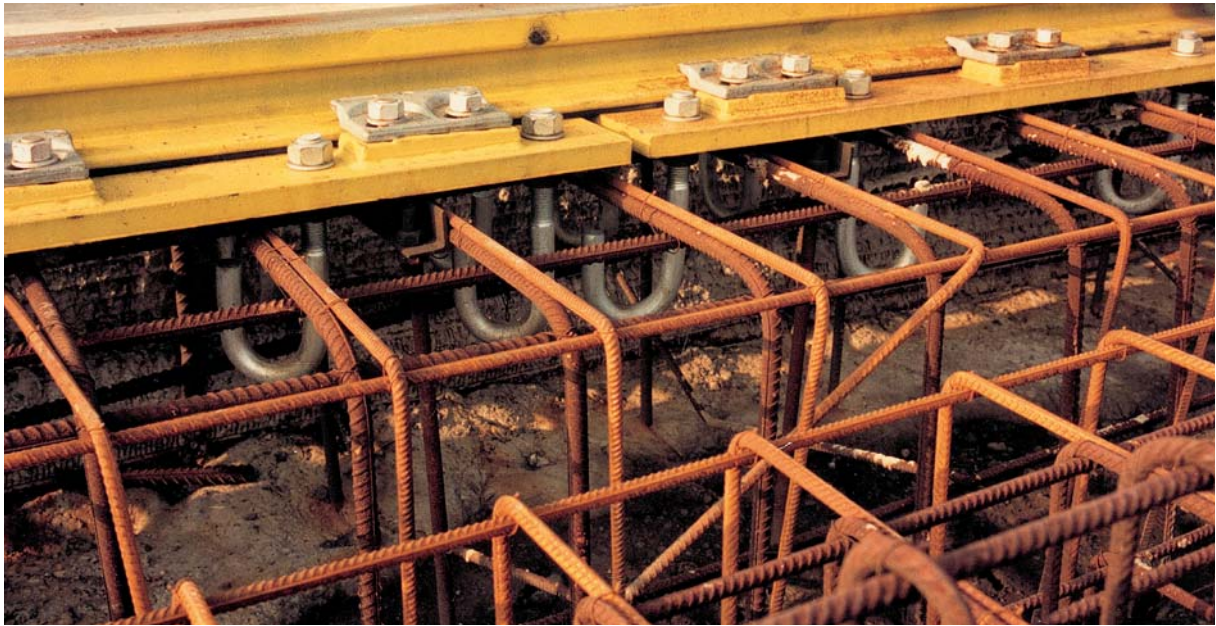
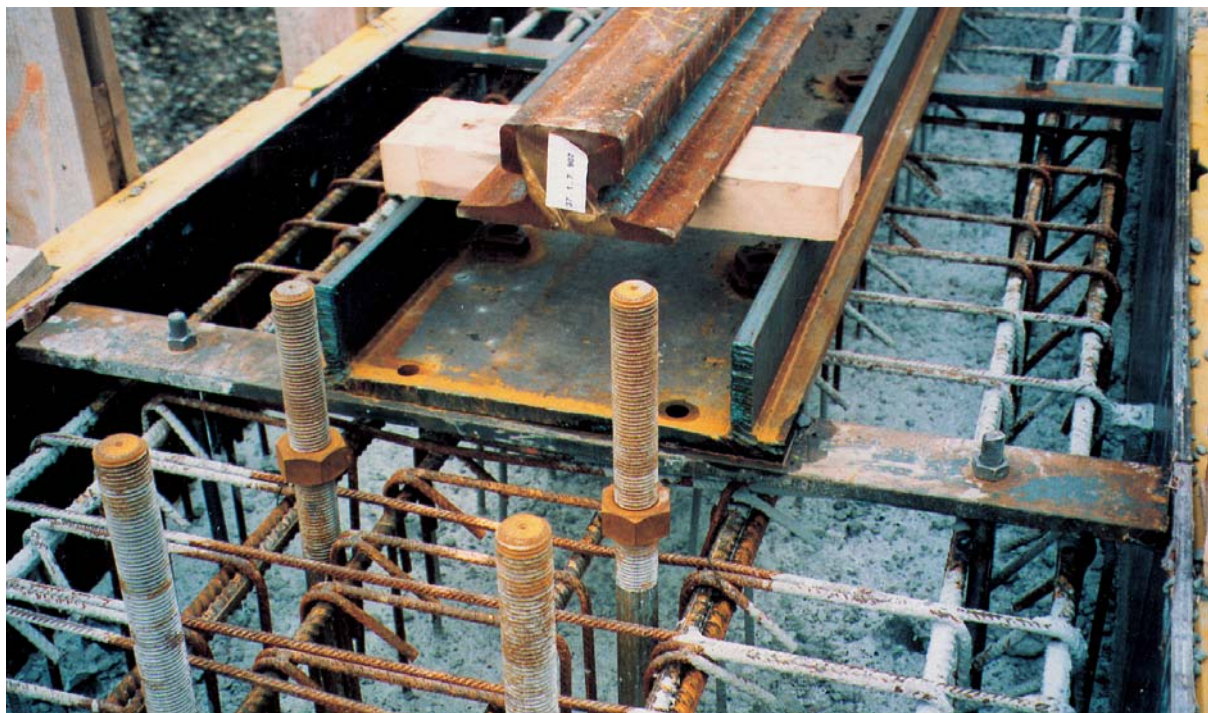


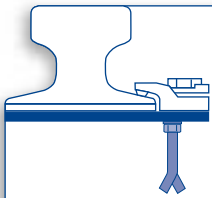
## The solution for floor tracks

**GANTREX** is your ideal partner for the supply of anchoring and levelling devices for rail tracks on concrete.



- The rail track anchoring systems are the link between the rail support and the concrete floor.
- A levelling device to suit the specific installation conditions will enable a satisfactory adjustment of the rail support in order to ensure that the track geometry conforms with the relevant tolerances (FEM, VDI,...).





## ANCHORING LEVELLING DEVICE

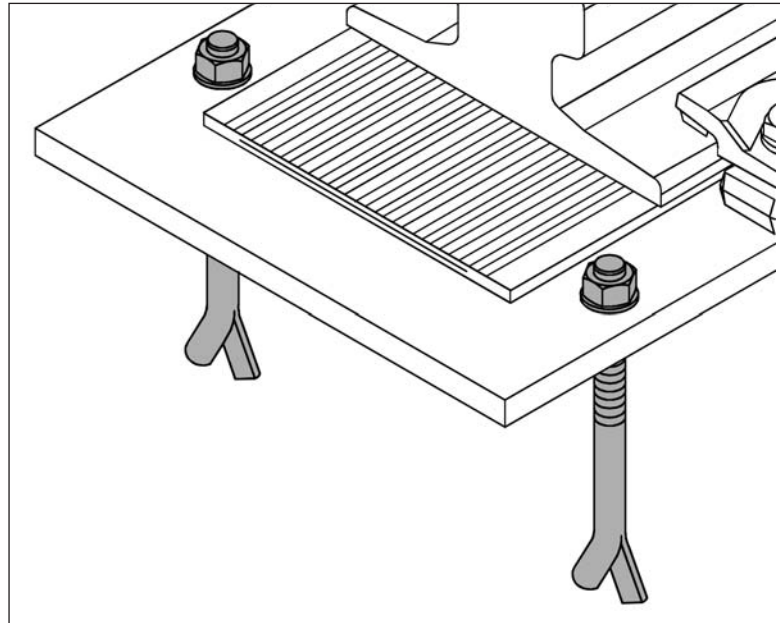
**GANTREX**<sup>®</sup>

**GANTREX** will propose a solution to suit your installation loads and local circumstances, supported by the appropriate calculations from its own Technical Department.

In addition to classic systems according to DIN standards, **GANTREX** designs its proposals with specific systems such as releveling, specially shaped holding down bolts, chemical anchors, ...

To facilitate the easier installation of anchoring systems, **GANTREX** can also supply anchoring templates, pre-cast anchoring boxes, ...

For more information, please consult us.



*We reserve the right to discontinue or change specifications or design at any time without prior notice and without incurring any obligation whatsoever.*



**GANTREX** S.A.

rue du Commerce 19 • 1400 Nivelles • Belgium

Tel. : +32(0)67.88.80.30 • Fax : +32(0)67.21.63.21 • E-mail : [info@be.gantry.com](mailto:info@be.gantry.com)

<http://www.gantry.com>