

The solution on steel girder

With the soft fixing technique, **GANTREX**, ISO 9001 certified, is your ideal partner for the design, supply and installation of rail tracks laid on steel girder.

Criteria

The engineers of **GANTREX**'s Technical Department select the optimum interface between steel girder and the wheels of the travelling machinery.

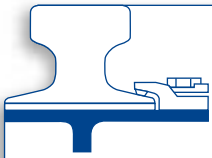
Main criteria

- size of the supporting girder;
- fixing mode to the support : weldable or boltable clips;
- dimensions of the machine;
- vertical and side loads of the wheels;
- speed of travel;
- wheel diameter;
- quantity of wheels;
- duty cycle and drive group;
- installation conditions;
- operating circumstances;

Specific criteria

- presence of any rail brake device;
- storm brake and uplift forces;
- seismic loads;
- presence of side guiding wheels;
- ...





MOUNTING ON STEEL GIRDER

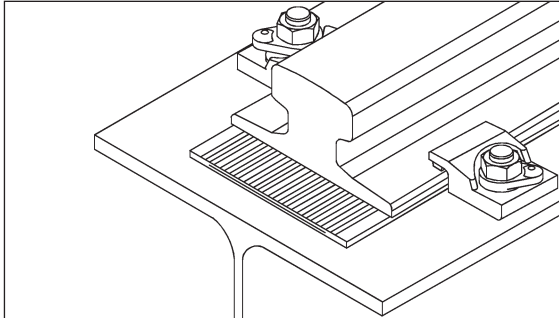


Recommendations and solution choice

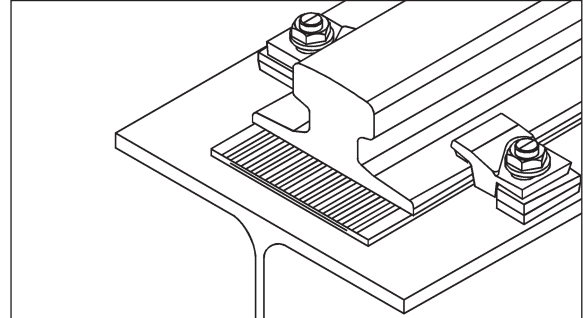
All GANTREX® clips types can be used. The choice between weldable or boltable clips will depend on :

- the accessibility;
- the possibilities of preparing the work prior to delivery to site;
- the local applicable norms;
- the local custom and practice.

Mounting with boltable clips



Mounting with weldable clips



| THE PRODUCTS | THE SERVICES |
|---|---|
| <ul style="list-style-type: none"> • GANTREX® MK6 continuous pad laid under the rail; • GANTREX® clips for the rail fixing; • rail; • rail welding kits; • GANTREX® safety barriers. | <ul style="list-style-type: none"> • diagnosis of the existing track; • design (new track or repair works); • complete track installation; • coordination with the customer's technical department; • rail welding; • training of local installation teams; • supervision of installation; • inspection and maintenance of tracks; • safety at height. |

We reserve the right to discontinue or change specifications or design at any time without prior notice and without incurring any obligation whatsoever.



rue du Commerce 19 • 1400 Nivelles • Belgium
 Tel. : +32(0)67.88.80.30 • Fax : +32(0)67.21.63.21 • E-mail : info@be.gantry.com
<http://www.gantry.com>