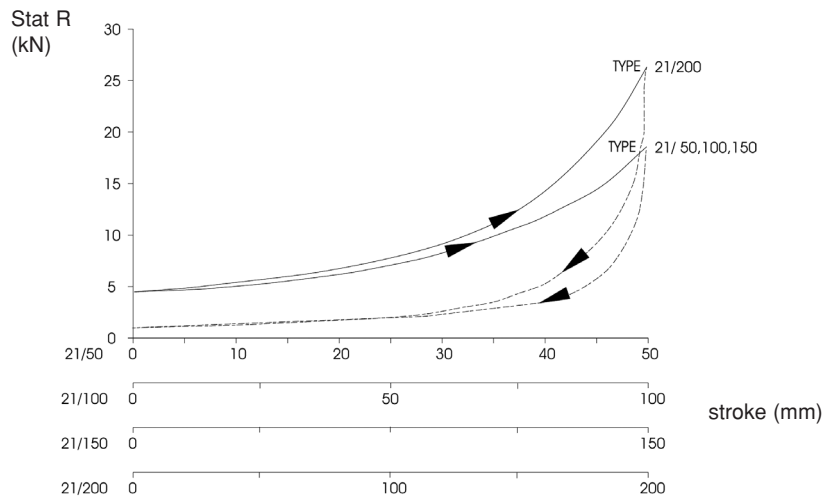


HYDRAULIC BUFFER

TYPES 21

Static diagrams



Characteristics

TYPES	Strokes	Dynamic capacities	Max. impact forces	Static resistances
	mm	kJ	kN	kN
21/50	50	10	250	from 5 to 20
21/100	100	20	250	from 5 to 20
21/150	150	30	250	from 5 to 20
21/200	200	40	250	from 5 to 28

PLUNGER ASSEMBLY

Standard plate and standard seals
 Standard plate and high temperature seals
 Marine plate and standard seals
 Marine plate and high temperature seals

CYLINDER ASSEMBLY

Back mounted, not built in
 Front mounted, built in
 Back mounted with bellows rings
 Front mounted with bellows rings

Codes

A
H
M
N

B
F
J
G

HEAD & BELLOWS ASSEMBLY

Buffer head only
 Buffer head with bellows

HEADS

standard : dia.
 special : dia.

Codes

S
M

100 mm
125 mm

METERING PINS

	Mass per buffer			
	21/50	21/100	21/150	21/200
from 0,75 to 1,7 T	051	101	151	201
from 1,6 to 3,5 T	052	102	152	202
from 3 to 7 T	053	103	153	203
from 6 to 13 T	054	104	154	204
from 11,5 to 25 T	055	105	155	205
from 25 to 50 T	056	106	156	206
from 50 to 100 T	057	107	157	207
from 100 to 200 T	058	108	158	208

In grey shade : special metering pins. For higher mass, please consult us.

Identification

Ex :
 type plunger assemblies cylinder head and bellows head diameter metering pin N°
21 **- M** **G** **M** **-100** **-055**

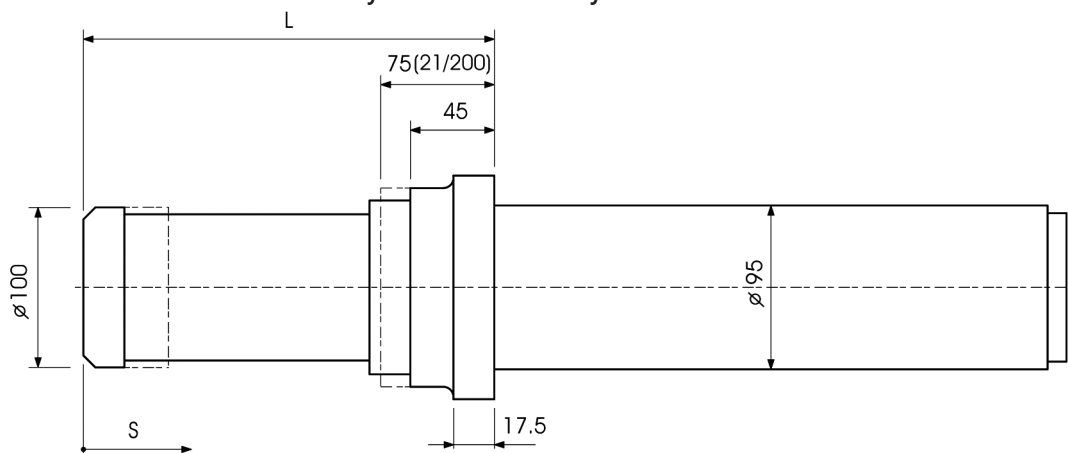


HYDRAULIC BUFFER

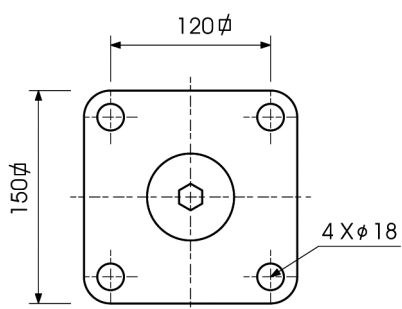
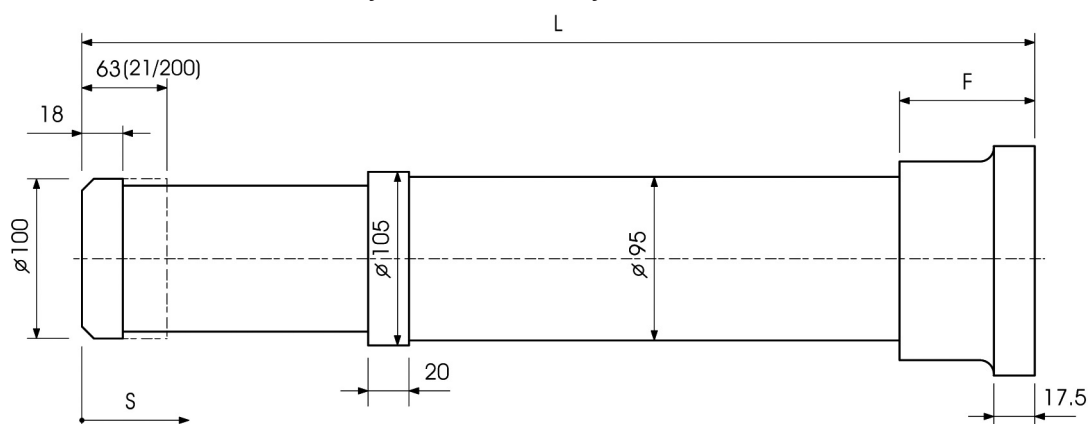
TYPES 21

Dimensions

Cylinder assembly F or G



Cylinder assembly B or J



TYPES	Strokes	L for assembly				F	Weight	
	S	F	G	B	J		F & G	B & J
	mm	mm	mm	mm	mm	mm	kg	kg
21/50	50	133	153	260	260	75	10,6	10,6
21/100	100	183	213	420	420	75	13,8	14,1
21/150	150	233	273	584	584	118	17,4	19,6
21/200	200	360	360	700	700	118	19,5	21,5

We reserve the right to discontinue or change specifications or design at any time without prior notice and without incurring any obligation whatsoever.



GANTREX S.A.

rue du Commerce 19 • 1400 Nivelles • Belgium
 Tel. : +32(0)67.88.80.30 • Fax : +32(0)67.21.63.21 • E-mail : info@be.gantry.com
<http://www.gantry.com>