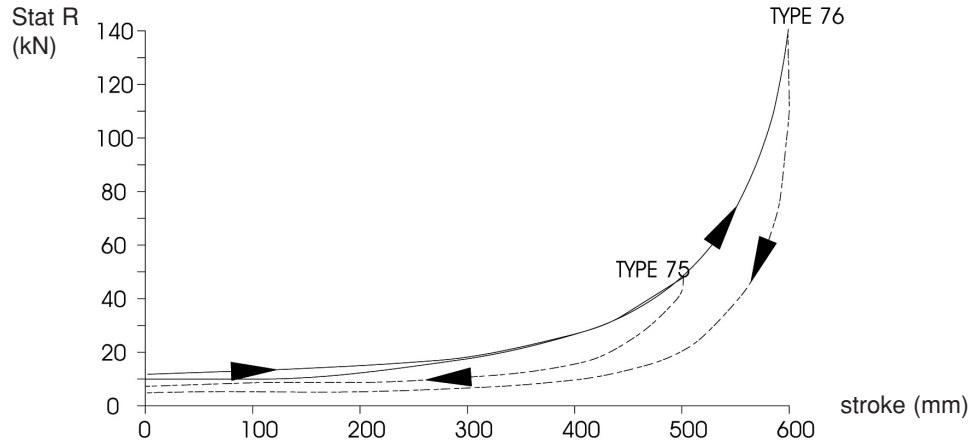


HYDRAULIC BUFFER

TYPES 70

Static diagrams



Characteristics

TYPES	Strokes	Dynamic capacities	Max. impact forces	Static resistances
	mm	kJ	kN	kN
75	500	280	700	from 10 to 45
76	600	336	700	from 10 to 140

PLUNGER ASSEMBLY

Marine plate and standard seals
Marine plate and high temperature seals

Codes

M
H

HEAD & BELLOWS ASSEMBLY

Buffer head only
Buffer head with bellows

Codes

Z
N

CYLINDER ASSEMBLY

Front mounted, built in

F

HEADS

standard : dia.
special : dia.

140 mm
200 mm

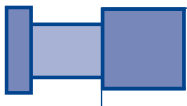
METERING PINS

Mass per buffer					
	75	76		75	76
from 2,5 to 7,5 T	503	603	from 20 to 40 T	507	607
from 5 to 10 T	504	604	from 40 to 80 T	508	608
from 10 to 20 T	505	605	from 50 to 100 T	509	609
from 15 to 30 T	506	606	from 75 to 150 T	510	610
			from 100 to 200 T	511	611

In grey shade : special metering pins. For higher mass, please consult us.

Identification

Ex :
type assemblies head and head metering
 plunger cylinder bellows diameter pin N°
76 **- M** **F** **Z** **-140** **-607**

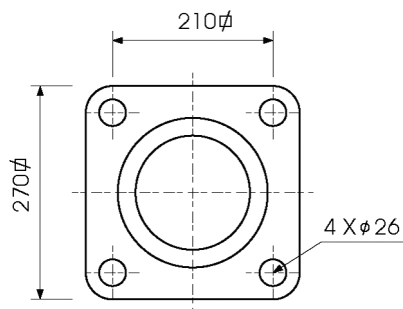
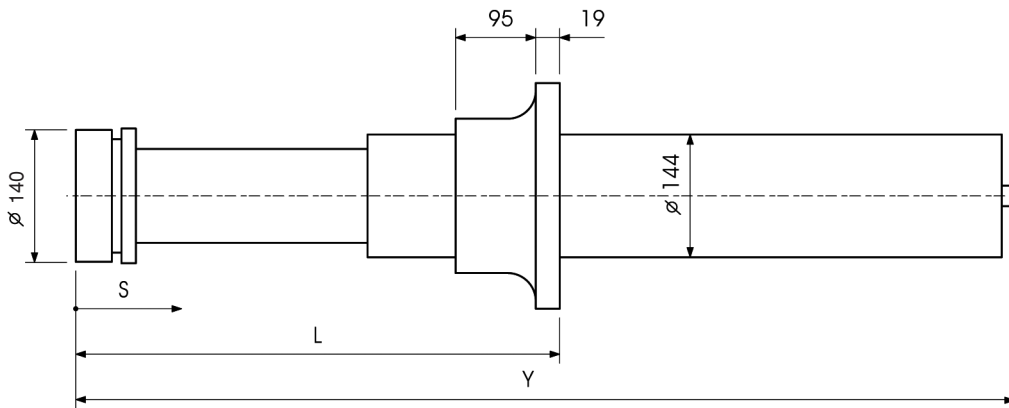


HYDRAULIC BUFFER

TYPES 70

Dimensions

Cylinder assembly F



TYPES	Strokes S	L	Y	Weight
	mm	mm	mm	kg
75	500	832	1621	97
76	600	932	1721	98

We reserve the right to discontinue or change specifications or design at any time without prior notice and without incurring any obligation whatsoever.



GANTREX S.A.

rue du Commerce 19 • 1400 Nivelles • Belgium
 Tel. : +32(0)67.88.80.30 • Fax : +32(0)67.21.63.21 • E-mail : info@be.gantry.com
<http://www.gantry.com>