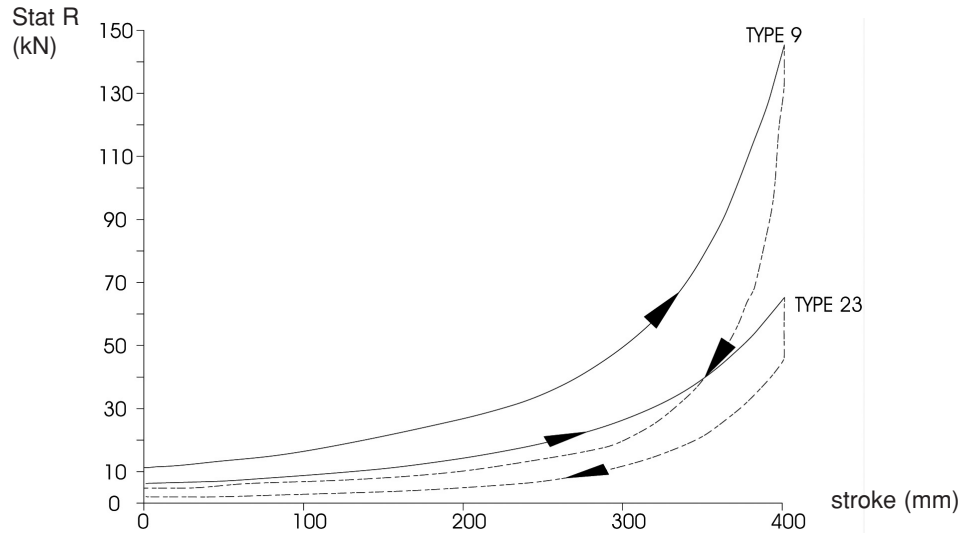


HYDRAULIC BUFFER

TYPES 9 & 23

Static diagrams



Characteristics

| TYPES | Strokes | Dynamic capacities | Max. impact forces | Static resistances |
|-----------|---------|--------------------|--------------------|--------------------|
| | mm | kJ | kN | kN |
| 9 | 400 | 224 | 700 | from 15 to 150 |
| 23 | 400 | 224 | 700 | from 8 to 55 |

PLUNGER ASSEMBLY

Marine plate and standard seals
Marine plate and high temperature seals

Codes

M
H

HEAD & BELLOWS ASSEMBLY

Buffer head only
Buffer head with bellows

Codes

Z
N

CYLINDER ASSEMBLY

Back mounted, not built in
Front mounted, built in

B
F

HEADS

standard : dia.
special : dia.

140 mm
200 mm

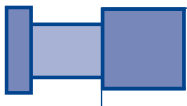
METERING PINS

| Mass per buffer | | | |
|-------------------|-----------|------------------|-----------|
| from 1 to 4 T | 02 | from 20 to 40 T | 07 |
| from 2,5 to 7,5 T | 03 | from 40 to 80 T | 08 |
| from 4 to 10 T | 04 | from 50 to 100 T | 09 |
| from 10 to 20 T | 05 | from 75 to 125 T | 10 |
| from 13 to 28 T | 06 | from 80 to 200 T | 11 |

In grey shade : special metering pins. For higher mass, please consult us.

Identification

Ex :
type plunger assemblies cylinder head and bellows head diameter metering pin N°
9 **- M** **B** **Z** **-140** **-04**

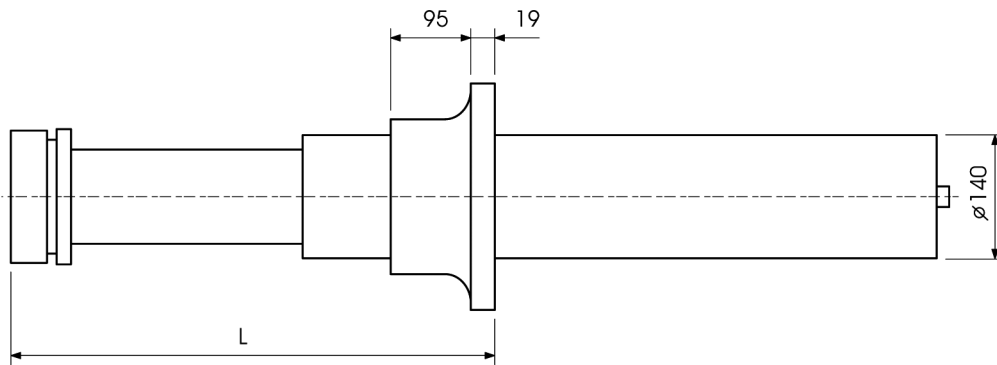


HYDRAULIC BUFFER

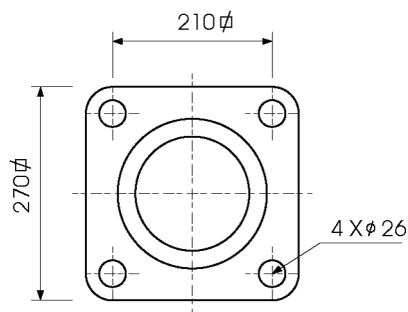
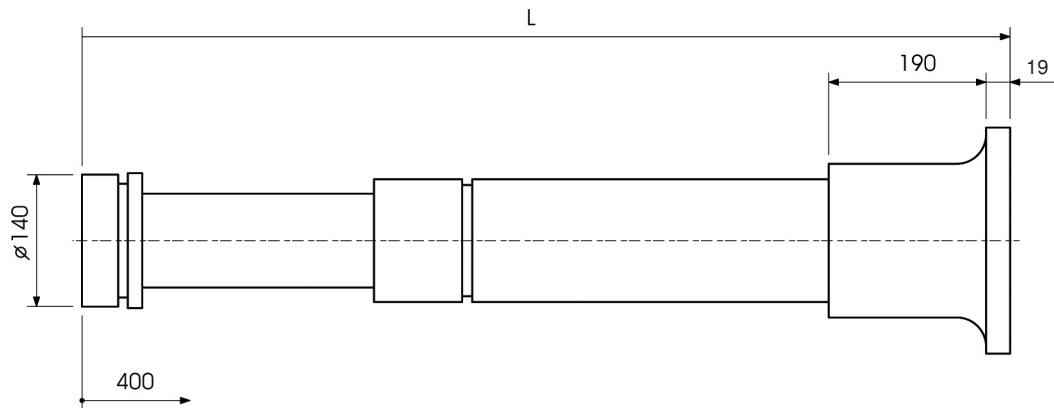
TYPES 9 & 23

Dimensions

Cylinder assembly F



Cylinder assembly B



| TYPES | L for assembly | | Weight | |
|-----------|----------------|-------------|-----------|-----------|
| | F | B | F | B |
| | mm | mm | kg | kg |
| 9 | 678 | 1205 | 73 | 82 |
| 23 | 728 | 1257 | 75 | 84 |

We reserve the right to discontinue or change specifications or design at any time without prior notice and without incurring any obligation whatsoever.



GANTREX S.A.

rue du Commerce 19 • 1400 Nivelles • Belgium
 Tel. : +32(0)67.88.80.30 • Fax : +32(0)67.21.63.21 • E-mail : info@be.gantry.com
<http://www.gantry.com>