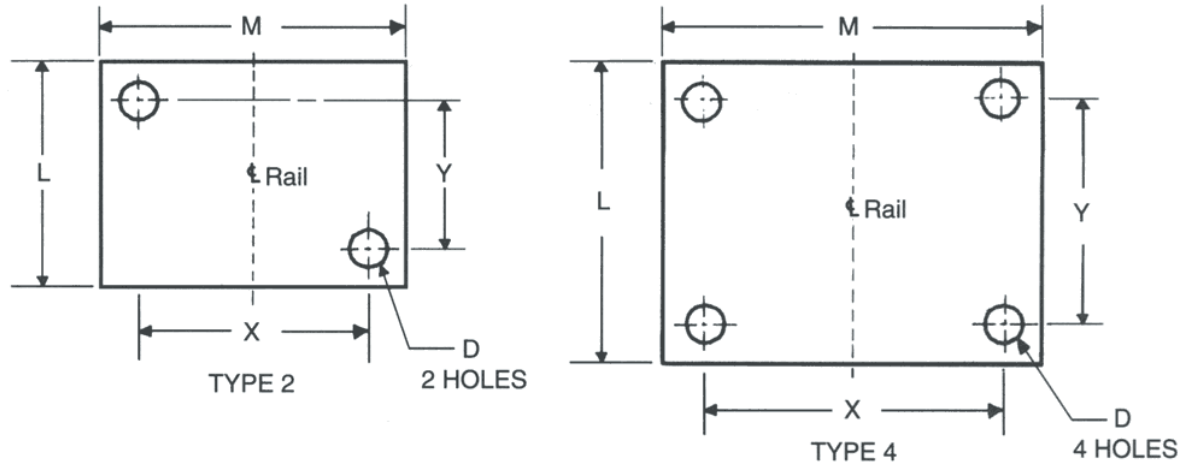


**FEATURES:**

- Pre-assembled with studs or welded lower components
- Pre-drilled for two or four anchor bolts
- Pre-coated to customer specification (e.g. primer or hot dip galvanized)
- Standard or custom designed to suit all rails

## GANTREX STEEL SOLEPLATE

### STANDARD SOLEPLATES:



RAIL SIZE (lbs/yd)	FLANGE WIDTH		SOLEPLATE MODEL NO.	DIMENSIONS (ins)					THICKNESS (STANDARD)	ANCHOR BOLT DIA.
	(ins)	(mm)		D	L	M	X	Y		
30 ASCE	3 1/8	80	B2 STELCAM 9-AS30 W2 WELDLOK 15-AS30	7/8"	6 3/8	9	6	4 1/2	1/2"	5/8"
40 ASCE	3 1/2	89	B2 STELCAM 9-AS40 W2 WELDLOK 15-AS40	"	6 3/8	9	6	4 1/2	"	"
60 ASCE	4 1/4	108	B2 STELCAM 9-AS60 W2 WELDLOK 15-AS60	"	6 3/8	9	6 1/2	4 1/2	"	"
85 ASCE	5 3/16	132	B2 STELCAM 13-AS85 W2 WELDLOK 24-AS85	"	6 3/8	11	8	4 1/2	"	"
104 CR	5	127	B4 STELCAM 17-CR104 W2 WELDLOK 24-CR104 W4 WELDLOK 24-CR104	1"	8 1/2	12	9	6	3/4"	3/4"
105 CR	5 3/16	132	B4 STELCAM 17-CR105 W2 WELDLOK 24-CR105 W4 WELDLOK 24-CR105	"	8 1/2	12	9	6	"	"
135 CR	5 3/16	132	B4 STELCAM 17-CR135 W2 WELDLOK 24-CR135 W4 WELDLOK 24-CR135	"	8 1/2	12	9	6	"	"

B = Bolted Clip W = Welded Clip

**OTHER RAILS:** GANTREX soleplates are available to suit any rail size. If rail size is not shown in above table, consult your nearest GANTREX office.

**NON-STANDARD:** Available with removable jacking bolts upon request. For unusual applications e.g., if side thrust on the rail is more than 15% of the vertical wheel load, or if side rollers are to be used, consult your nearest GANTREX office for custom-design.

**OTHER PRODUCTS:** Consult GANTREX for information on complete rail system material packages, including rails, soleplates, rail clips, rail pads, anchor bolts and epoxy grout.

GANTREX reserves the right to discontinue or change specifications at any time without prior notice and without incurring any obligation whatsoever.



**TOLL FREE: 800 2 GANTREX (800) 242-6873**

Web site: [www.gantrex.com](http://www.gantrex.com) • Email: [sales@gantrex.com](mailto:sales@gantrex.com)

© GANTREX, 2008  
PRINTED in U.S.A.

Rev. 01/08